

Order Code: 100015882

# Wall Mount L20PNWALL90EU

## Mount for Sharp/NEC Large Format Displays

Universal X-Large flat wall mount for Sharp/NEC displays from 50" to 90"

The L20PNWALL90EU offers the most versatile installation features and mounting options for Sharp/NEC displays from 50" to 90". Horizontal and vertical adjustment abilities allow for post installation levelling and side-to-side positioning, making it easier than ever to find the perfect display position. The open wall plate design offers total wall access, increasing the electrical and cable management options. The display can simply be installed with adapters hooking onto the wall plate for an overall quick, simple, and secure installation.

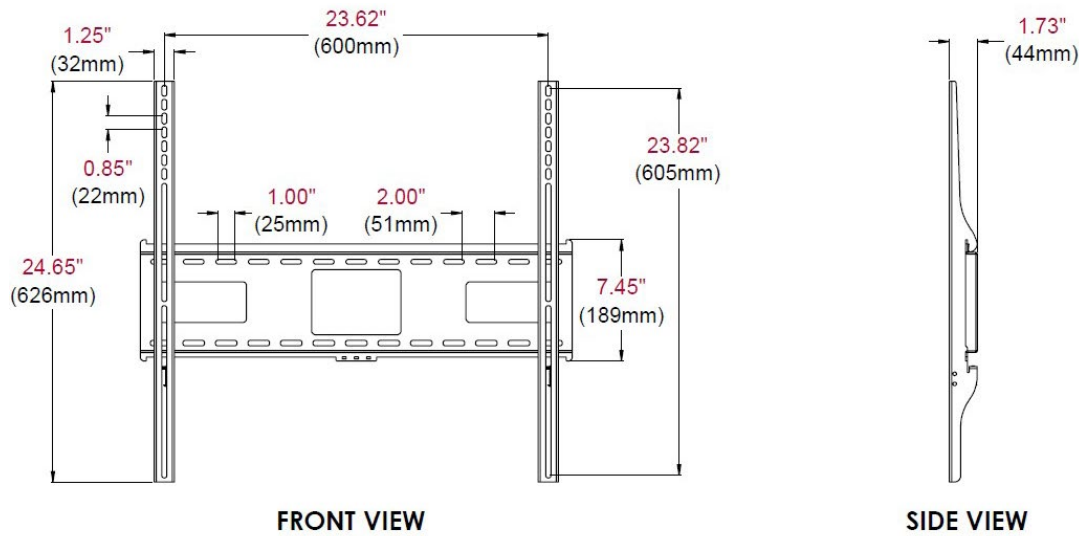


### Benefits

---

- **Flexible** – supports VESA mounting 200mm, 400mm and 600mm.
- **Safe Design** – tested to four times stated load capacity.
- **Sleek and pleasing look** – low-profile design to fit into any décor.
- **Easy installation** – all necessary wall and display attachment hardware included.
- **Deter tampering and theft** – security screws provided in the mounting.

## Technical Specifications



PRODUCT INFORMATION	
Product Name	L20PNWALL90EU
Order code	100015882
Max. load capacity [kg]	102
Recommended display size	50" - 90"
Max. mounting pattern	600 x 600
Orientation	Landscape and Portrait
Min. depth [mm]	30
Horizontal display adjustment [mm]	203
Product weight [kg]	3.3
Shipping weight [kg]	3.8
Product dimensions (WxHxD) [mm]	675 x 626 x 46
Packaging dimensions (WxHxD) [mm]	806 x 216 x 75
Shipping content	Wall mount, wall and display installation hardware, installation instructions
Colour	Black
Warranty	5 years
Supported displays	All Sharp and NEC large format displays from 55" to 90". Exception: Sharp PN-L752B and PN-L862B
For additional information please visit <a href="http://www.sharpnecdisplays.eu">www.sharpnecdisplays.eu</a>	

**Sharp NEC Display Solutions Europe GmbH**  
Landshuter Allee 12-14, D-80637 München  
infomail.sndse@sharp.eu  
Phone: +49 (0) 89 99 699-0  
Fax: +49 (0) 89 99 699-500  
[www.sharpnecdisplays.eu](http://www.sharpnecdisplays.eu)