

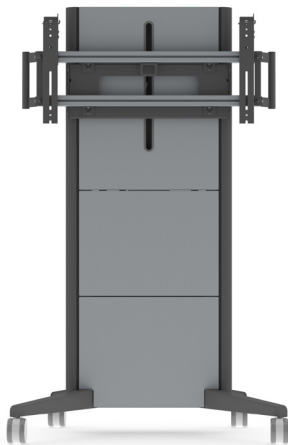
Order Code: 100014281 / 40001426

PD03MHA / PD03MHA-CB86

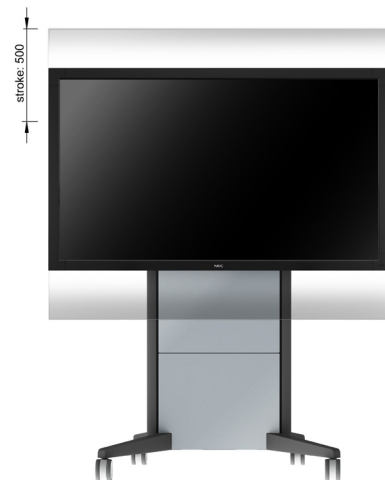
High-end mobile, motorised, height-adjustable Mount

High-End Mobile, Motorised, Height-Adjustable Mount for NEC Large Format Displays

Automatic height-adjustable trolley for large format displays from 46" to 98" offering moveable and ergonomic interactivity for corporate and education, with focus on stability, mobility and flexibility. Elegant yet robust, the bracket prevents the display from shaking when touched. Electrical height-adjustment makes it easy to adjust the screen to different users.



PD03MHA front view



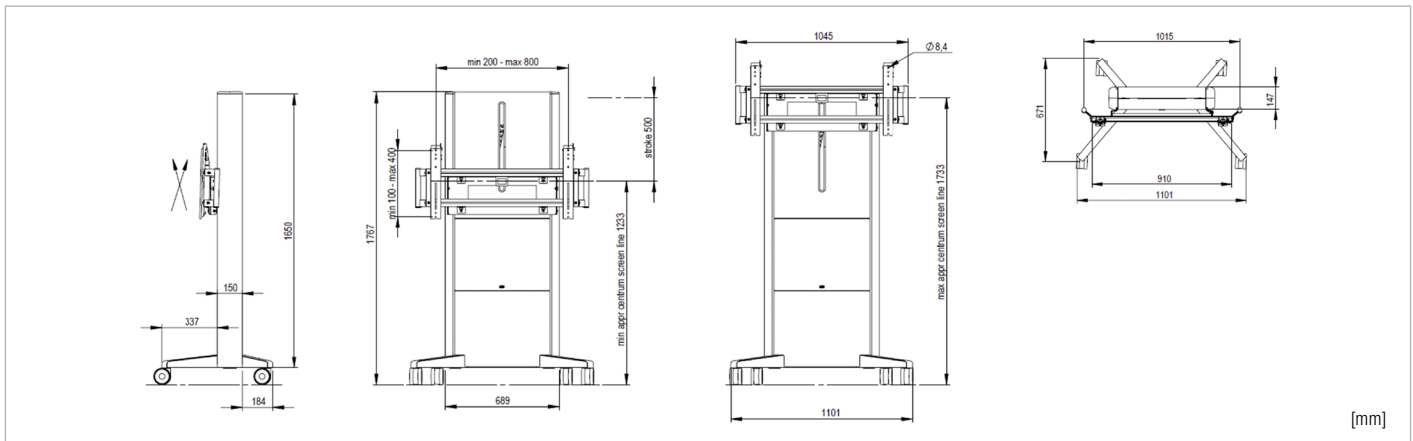
PD03MHA back view



Delivering Genuine Benefits

- Soft motorised height-adjustment, readily available from a button on the side of the unit
- Especially designed for usage with touch displays
- Professional cable management inside main body
- Storage space for equipment
- Easy to move (large handles as standard)
- Lockable 100mm casters enable safe and easy maneuverability over various flooring surfaces
- Highly preassembled to make installation quick and easy
- Converts from a trolley into a stand using the optional Cart Feet FT02

Technical Drawings



Technical Specifications

Order Code	
PD03MHA	100014281
PD03MHA-CB86	40001426
FT02 (Cart Feet)	100013614
Max. load capacity (kg)	
	120
Recommended display size	
	46" to 98"
Orientation	
	Landscape
Height adjustment (mm)	
	500
VESA pattern (mm)	
	PD03MHA 200 x 200 to 800 x 400; PD03MHA-CB86 200 x 200 to 800 x 600
Product weight (kg)	
	82.5
Shipping weight (kg)	
Box 1	20.4
Box 2	65.0
Box 3	9.5
Box 4	3.5 (PD03MHA-CB86)
Package dimension (mm)	
Box 1	1160 x 750 x 120
Box 2	1740 x 790 x 240
Box 3	930 x 290 x 90
Box 4	900 x 100 x 200 (PD03MHA-CB86)
Shipping Content	
	Main body of trolley incl. electric motor, Foot incl. 100mm casters, Handles, Remote control with cable, VESA mounting bars; PD03MHA-CB86: 800x600 VESA mounting bars
Finish	
	Aluminium/anthracite grey
Supported NEC Large Format Displays	
	PD03MHA: All Large Format Displays from 46" - 98" (up to 120kg) - except CB861Q PD03MHA-CB86: CB861Q
Warranty	
	5 years (mechanical parts); 2 years (electrical parts)
For additional pictures and Solutions overview, Visit www.nec-display-solutions.com for details.	

NEC Display Solutions Europe GmbH
Landshuter Allee 12-14, D-80637 München
infomail@nec-displays.com
Phone: +49 (0) 89 99 699-0
Fax: +49 (0) 89 99 699-500
www.nec-display-solutions.com