

NEC Wall Mount PDW S 32-65 L Wall Mount for Sharp/NEC Large Format Displays

Datasheet



Add flexibility and ergonomics with VESA wall mounts that are both safe and secure.

This standardised VESA wall mount with fixed tilt for landscape orientation guarantees a perfectly secure hold when fitting the display to the wall.

Benefits

Clean appearance - with super-slim design

Optimal viewing angle - due to fixed tilt of 0 or 5°

Cost efficient design - the simple mount design offers a favourable price point whilst making no compromise to robustness

Quick and easy installation - a simple design and easy mounting ensure speedy implementation

Improved safety and security from theft - due to locking padlock

Product Information

Product Name	NEC Wall Mount PDW S 32-65 L
Product Group	Wall Mount for Sharp/NEC Large Format Displays
Order Code	100012666

Mount

Installation	Single
Orientation	Landscape
Max. Load Capacity [kg]	50
Recommended Display Size [inch]	32 to 65

Mechanical

Tilt Function [°]	0; 5
-------------------	------

Weight and Dimensions

Weight [kg]	1.5
Min. Depth [mm]	35
Shipping Dimensions (W x H x D) [mm]	510 x 63 x 43

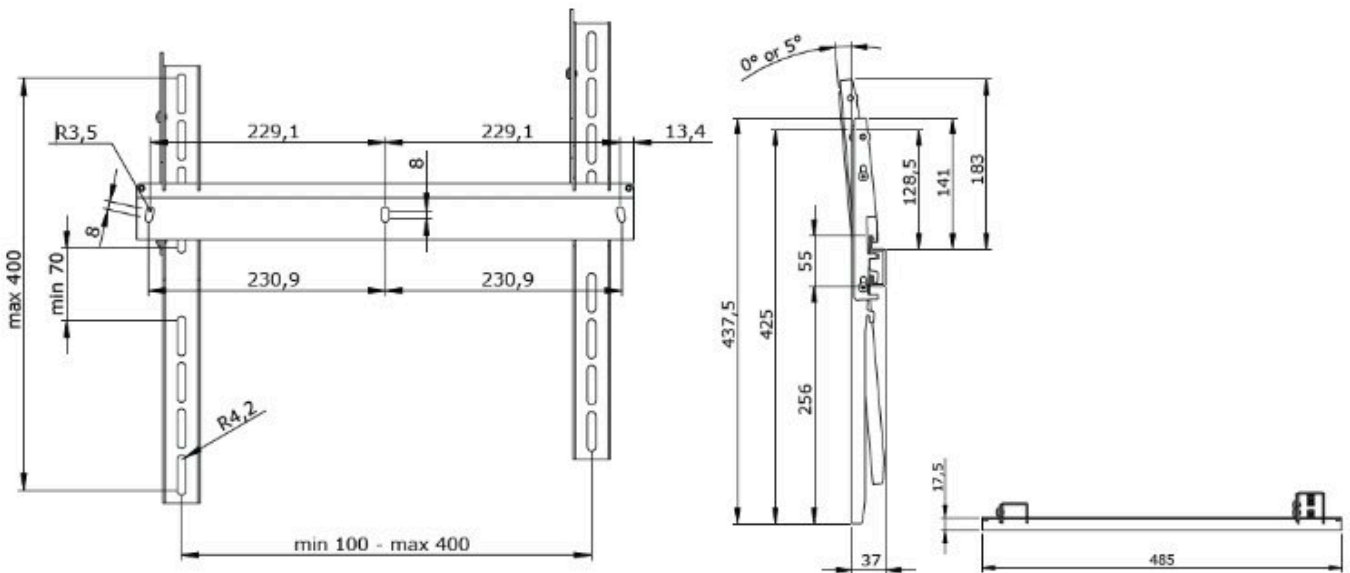
VESA

VESA Pattern [mm]	300 x 300; 400 x 200; 400 x 400
-------------------	---------------------------------

Additional Features

Warranty	3 years
Shipping Content	1x Lock Plate; 1x Wall Plate; 2x Vertical Plate incl. Hook; 4x Screws M6x12; 4x Washers 6x19x1

Technical Drawings



This document is © 2022 Sharp NEC Display Solutions Europe GmbH.

All rights reserved in favour of their respective owners. All hardware and software names are brand names and/or registered trademarks of the respective manufacturers. All specifications are subject to change without notice. Errors and omissions are excepted. 04.01.2022